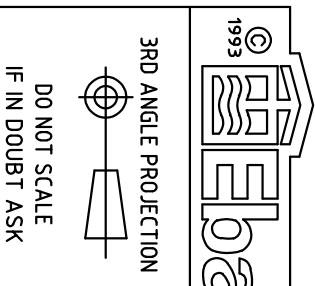


ISSUE	DATE	AMENDMENTS
10	01/05/15	CONTROL BOX VIEW CHANGED - WDA
11	12/05/15	CONTROL BOX VIEW CHANGED - WDA
12	06/11/15	REGEN FAN T/B VIEW UPDATED - WDA
13	13/07/20	WIRE COLOUR / SIZE UPDATE - WDA
14	30/09/22	10mm GREEN WIRE CHANGED TO RED - WDA
15	10/11/23	SSR CHANGE - WDA

SEE SHEET 2 OF 2 FOR BETTER VIEW OF HEATER BOX



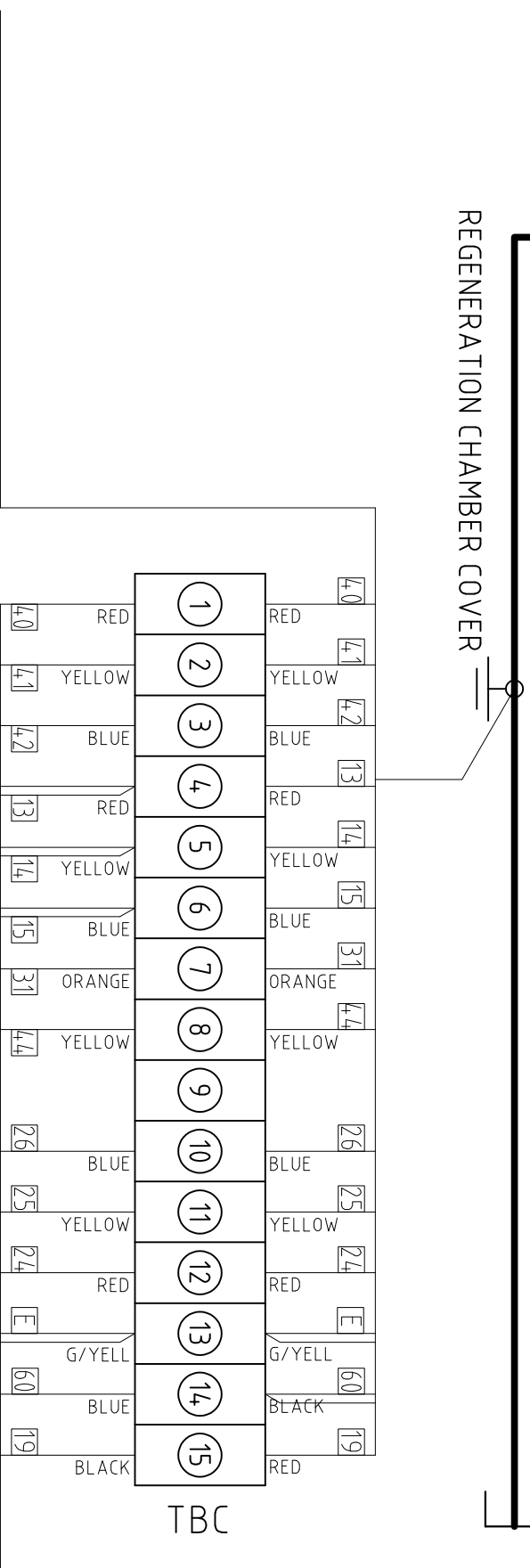
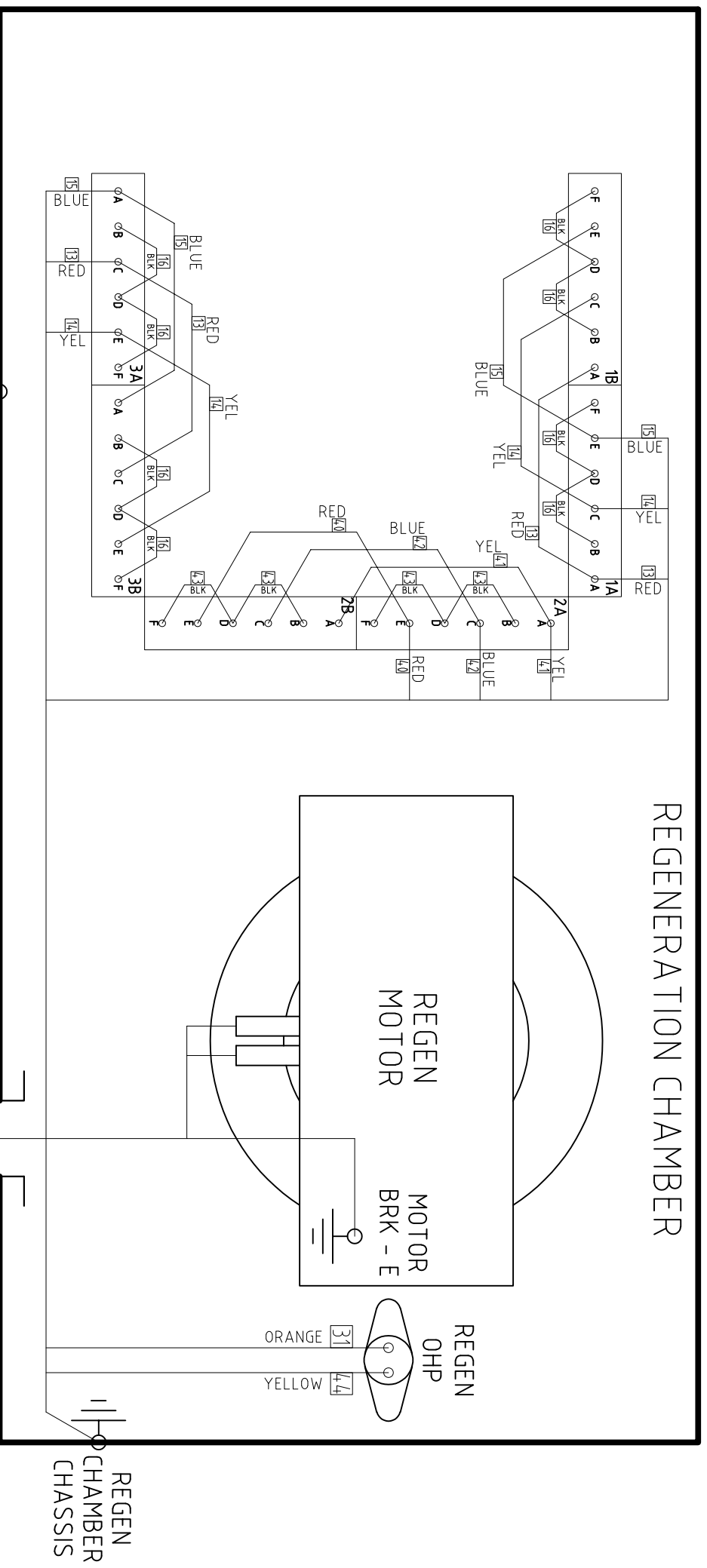
1993
FEBOQC
 LIMITED
 BISHOP AUCKLAND
 ENGLAND


TITLE		DD900 - WIRING DIAGRAM	
MATERIAL	N/A	DRAWN: W DAGLISH	
FINISH	N/A	CAD SCALE: N/A	DRG.NO. 5010321
		SHEET 1 OF 2	

3RD ANGLE PROJECTION
 DO NOT SCALE
 IF IN DOUBT ASK

DIMENSIONS IN m.m.
 TOLERANCES UNLESS
 OTHERWISE STATED
 0 ± 1
 0.0 ± 0.25
 0.00 ± 0.05
 ANGULAR ± 0.5 DEGREE

ISSUE	DATE	AMENDMENTS
10	01/05/15	CONTROL BOX VIEW CHANGED - WDA
11	12/05/15	CONTROL BOX VIEW CHANGED - WDA
12	06/11/15	REGEN FAN T/B VIEW UPDATED - WDA
13	13/07/20	WIRE COLOUR / SIZE UPDATE - WDA
14	30/09/22	10mm GREEN WIRE CHANGED TO RED - WDA
15	10/11/23	SSR CHANGE - WDA





1993
EHOBAC
LIMITED
BISHOP AUCKLAND
ENGLAND

TITLE
DD900 - WIRING DIAGRAM

<p>3RD ANGLE PROJECTION DO NOT SCALE IF IN DOUBT ASK</p> <p>DIMENSIONS IN m.m. TOLERANCES UNLESS OTHERWISE STATED</p> <p>0 ± 1 0.0 ± 0.25 0.00 ± 0.05 ANGULAR ± 0.5 DEGREE</p>	<p>MATERIAL N/A</p> <p>FINISH N/A</p>
<p>DRAWN : W DAGLISH</p> <p>CAD SCALE : N/A</p> <p>DRG.NO. 5010321</p>	<p>SHEET 2 OF 2</p>